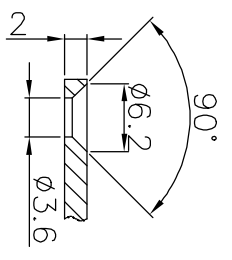
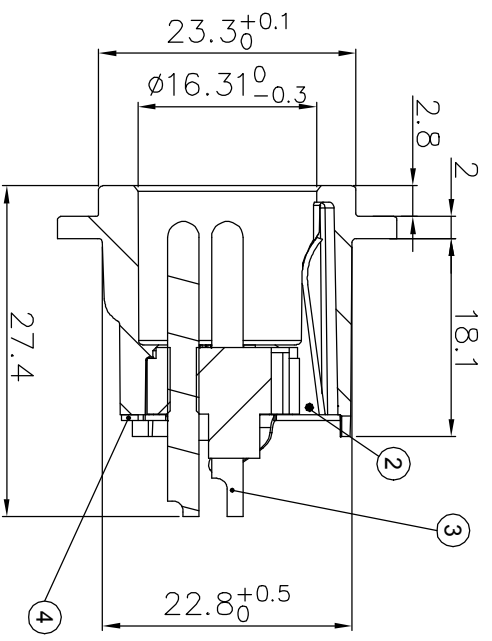
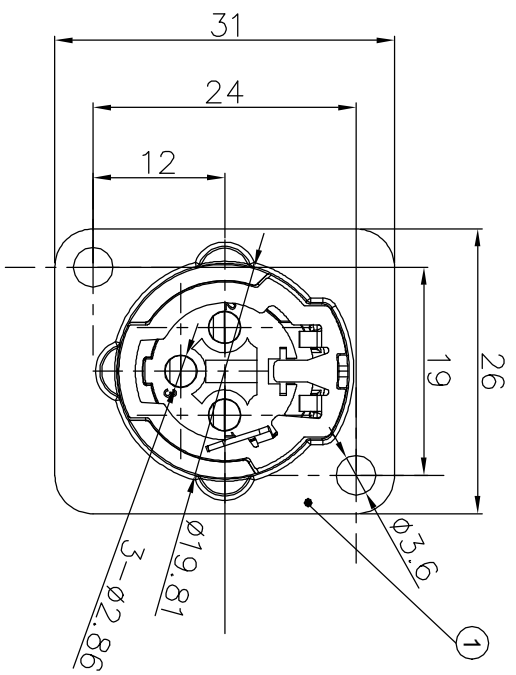
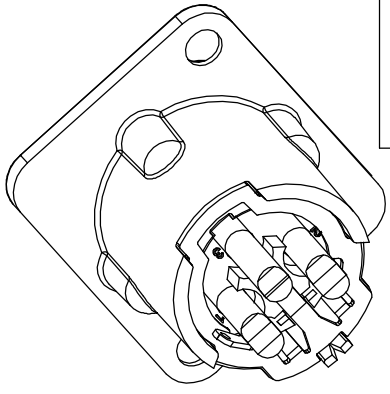
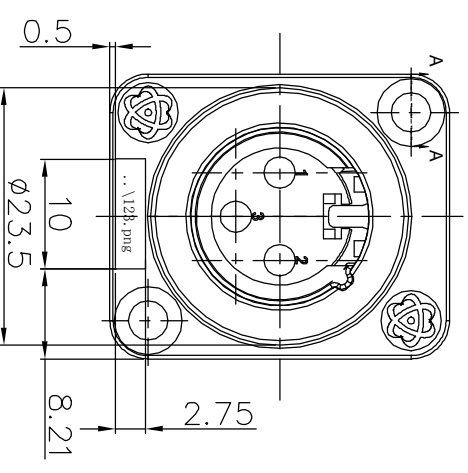


REVISIONS	
ISS	ZONE
	DESCRIPTION \ PER REQUEST \ DATE
V	OPEN
	Open drawings to customers



SECTION A-A

A-A"VIEW



NO.	DESCRIPTION	MATERIAL	FINISH	QTY	DRAWING NO.
1	DIE-CAST SHELL	ZZnAl4-1	Electro coating black	1	
2	INSULATOR	PA		1	
3	PIN	H59-1	SILVER	3	
4	GROUND STRIP	H62	TIN	1	

DIMENSIONS ARE IN MILLIMETERS		APPROVED	DATE
UNLESS OTHERWISE SPECIFIED TOLERANCES		CHECKED	DATE
ANGLES = ±5°		DRAWN	DATE
UP TO 6 = ±0.2		HAONANHU	2019-8-27
6-40 = ±0.4		FILE NO.	
40-120 = ±0.6		ERR LINK:	
120-315 = ±1			
ABOVE 315 = ±1.6			
THIRD_ANGLE			
SCALE	1/2		

Connector Distribution GmbH		PART NO.	REV.
TITLE		XL13MB	A1
3P XLR MALE CHASSIS CONNECTOR			