

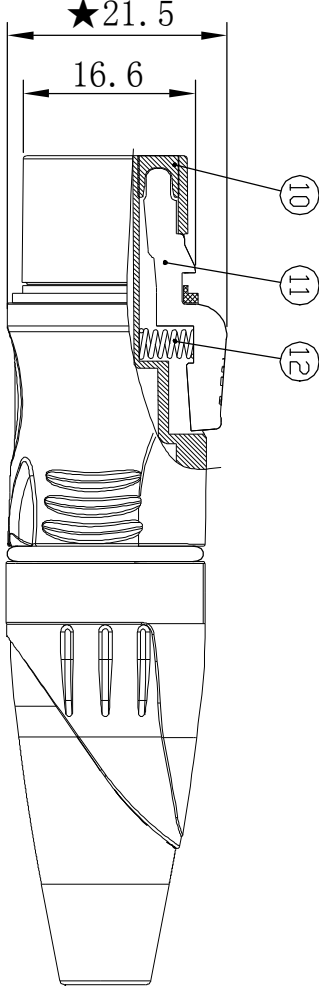
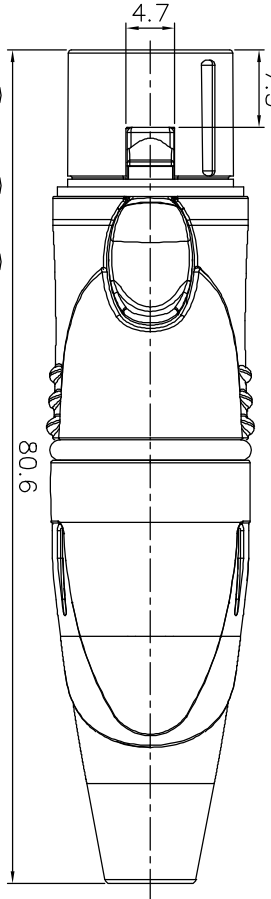
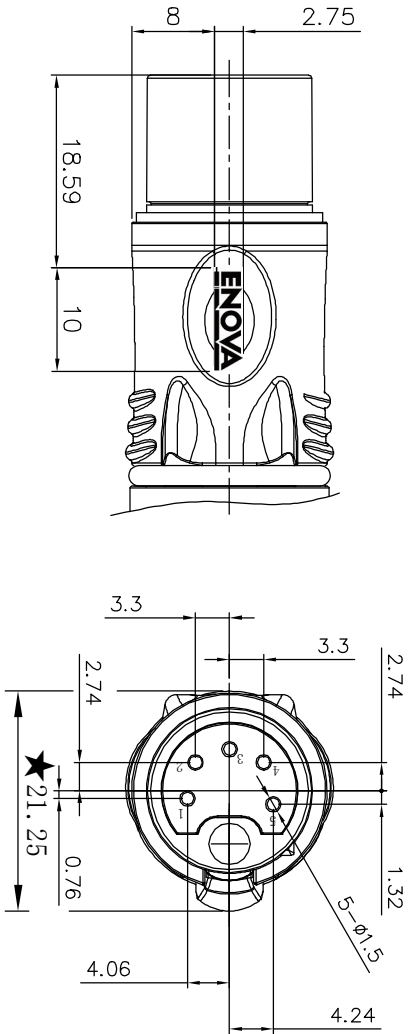
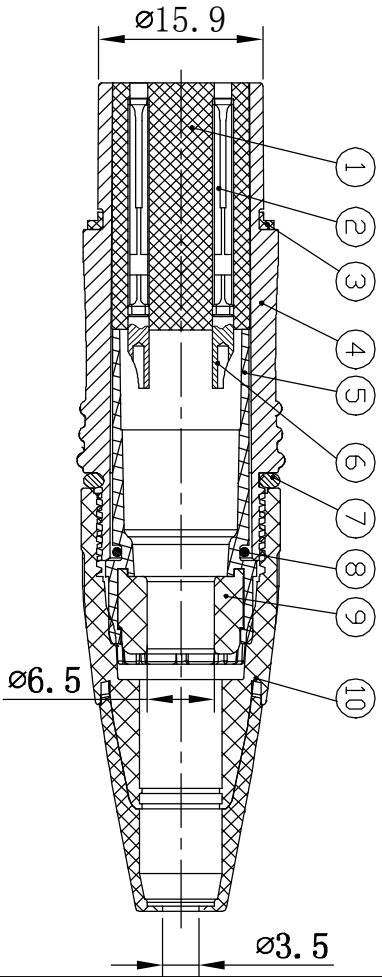
ISS	ZONE	DESCRIPTION\PER REQUEST\DATE
-----	------	------------------------------

REVISIONS

V	OPEN	對客戶公開圖紙
	OPEN	對供應商公開圖紙
	CLOSED	僅限廠內使用

Notes(備註):


1. Pin No.1 solder side compare with other pin solder side has less than  $1\pm 0.15$  (1號插針的焊杯端面比其他插針的焊杯端面低  $1\pm 0.15$ )
2. All O-rings are black.
3. Lettering is carved by laser.
4. Without any logo on insulator (塑料上不要有任何標志)
5. Printing must be horizontal and vertical (印字必須水平垂直)



13	彈簧(Spring)	彈簧鋼(spring steel)		1	1404010015
12	按鍵(Push button)	ZZnAL4-1	鍍黑(Black plated)	1	3104040092
11	按鍵堵蓋(Lam)	H59-1	鍍黑鋅(Black zinc)	1	3104040094
10	螺塞+尾套(Cap+Boot)	PA6+TPP	黑+灰(BK+GY)	1	4301060067
9	防水圈(Waterproof ring)	丁腈橡膠(BUNA-N RUBBER)	黑色(BLACK)	1	1209100037
8	T型圈(T-Washer)	丁腈橡膠(BUNA-N RUBBER)	黑色(BLACK)	1	1208010060
7	O型圈(O-WASHER)	硅膠(SILICONE)	黑色(BLACK)	1	1209100039
6	插針(Pin)	H59-1	鍍銀(SILVER)	5	3102010006
5	夾線爪(Cable clamp)	PA6	白色(WHITE)	1	4301070020
4	特壳(Die-cast shell)	ZZnAL4-1	鍍黑(Black plated)	1	3104040091
3	T型圈(T-Washer)	丁腈橡膠(BUNA-N RUBBER)	橙色(ORANGE)	1	1208010059
2	插孔(Female pin)	磷青銅(PHOSPHOR BRONZE)	鍍銀(SILVER)	5	3102020006
1	塑料(Insulator)	PA	黑色(BLACK)	1	4301010061

DIMENSIONS ARE IN MILLIMETERS  
UNLESS OTHERWISE SPECIFIED  
TOLERANCES  
ANGLES = ±5°  
UP TO 6 = ±0.2  
6-40 = ±0.4  
40-120 = ±0.6  
120-315 = ±1  
ABOVE 315 = ±1.6

APPROVED	DATE
CHECKED	DATE
DRAWN	DATE
FILE NO. D:\CAD\SV556\5112010564_SVP556X-WP-BOB-5P-ENA_CA001A1	
ERP LINK:	5112010546


**寧波日鼎電子科技有限公司**  
 NINGBO SUN RISE ELECTRIC TECHNOLOGY CO.,LTD

TITLE  
**WATERPROOF 5P XLR FEMALE CONNECTOR PLATED SILVER PIN**

PART NO. SVP556X-WP-BOB-5P-ENA

A

B

C

D

E

F

A

B

C

D

E

F