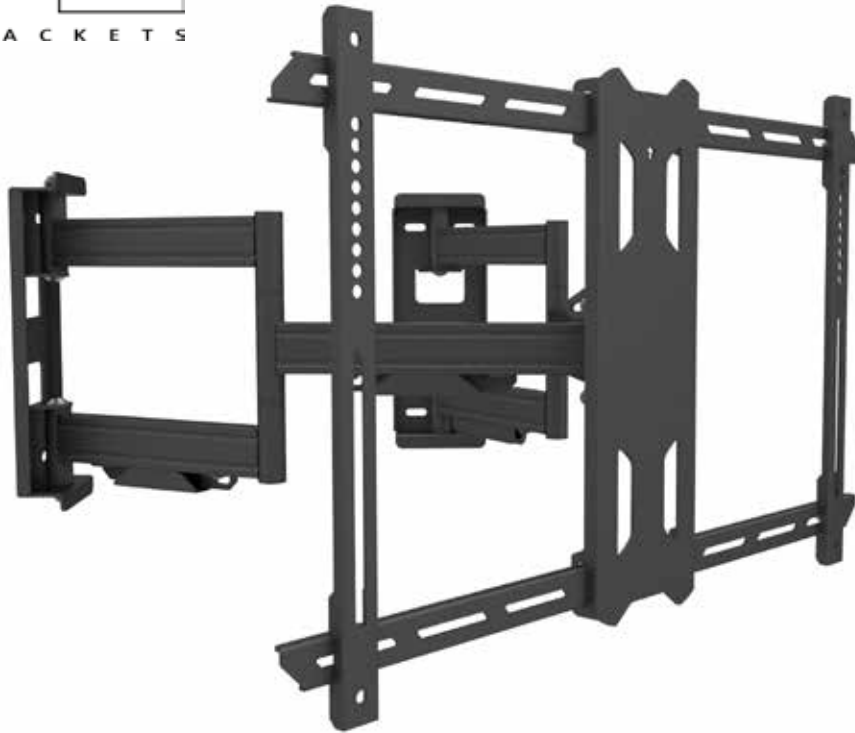




Ready when you are.



# M Universal Flexarm Full Motion Corner Mount HD

Art No: 7 350 073 732 623

This Full Motion Wall Mount with dual extension arms will mount most flat-panel TV up to 60Kg's to be mounted in a corner of a room. With its ingenious design it allows even the very large TVs to extend up to 56cm

from the a corner and retract, tilt, and swivel with ease. Using smart tilting technology we allow effortless viewing angle with a tool less manual adjustment.

## SPECIFICATIONS

M Universal Flexarm Full Motion Corner Mount HD	
For screen size:	37-70"
Tilt:	-3° ~ +15°
VESA standard:	200x200 300x300 400x200 400x400 600x400
Article No:	7 350 073 732 623
Size in mm:	710 x 436 x52 (W*H*D)
Distance to wall:	52 mm
Weight:	10.2 kg
Colour:	Black
Max load:	60 kg
Distribution package:	3 pcs
Warranty:	5 years
Single box size (WxDxH):	735 x 368 x 60 mm
Units on EUR-pallet:	15 pcs

