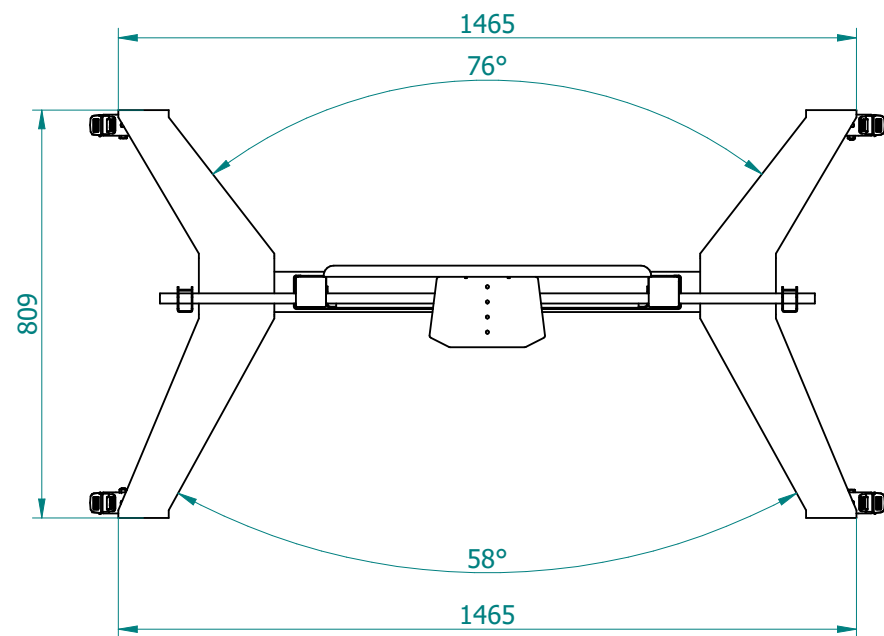
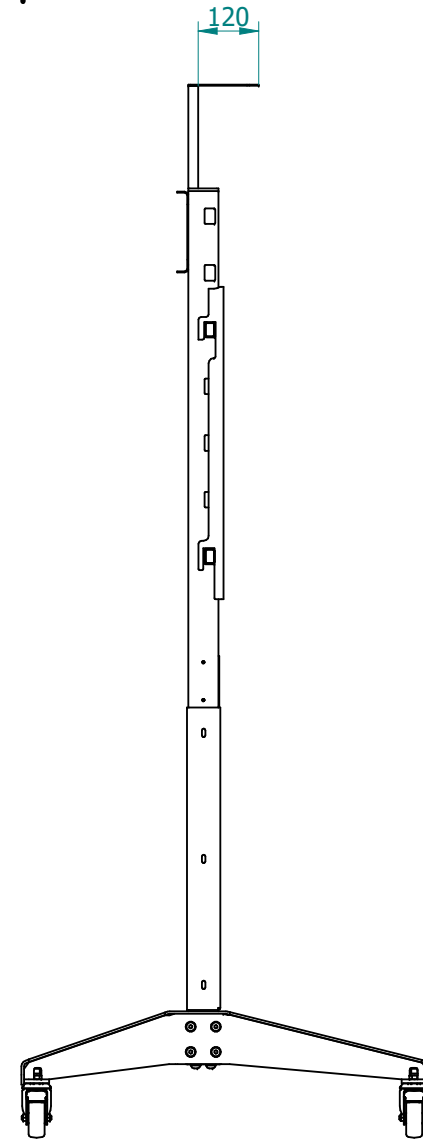
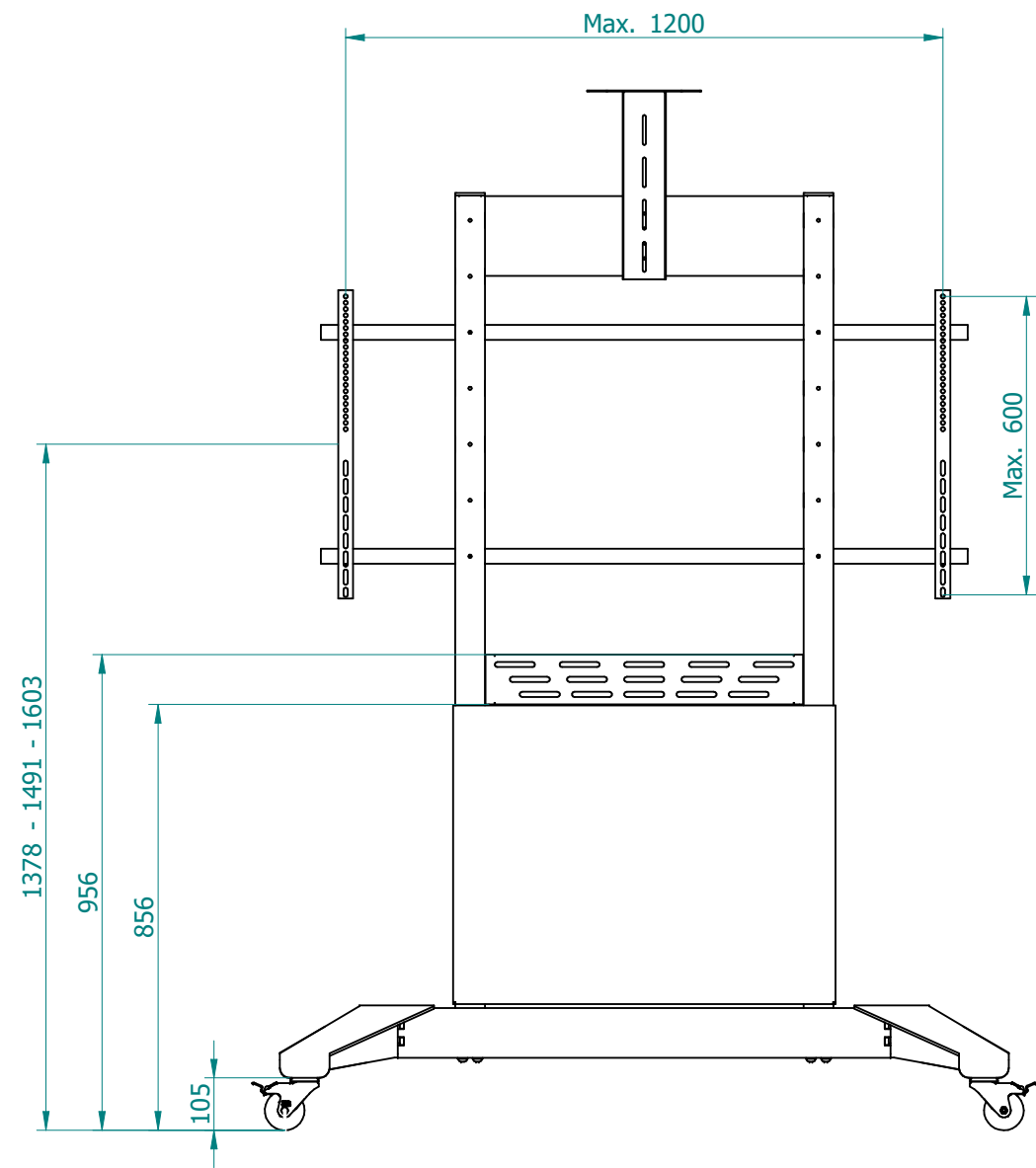
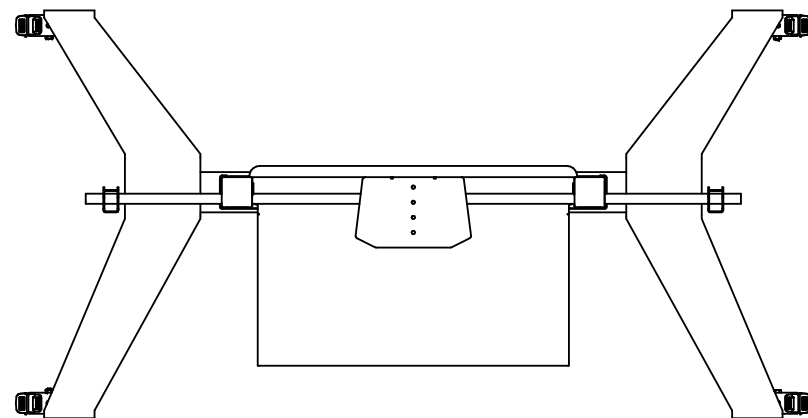
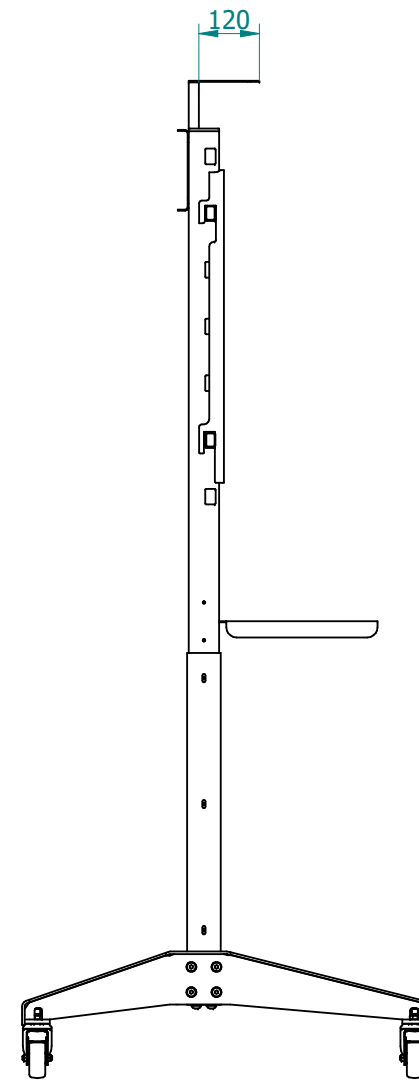
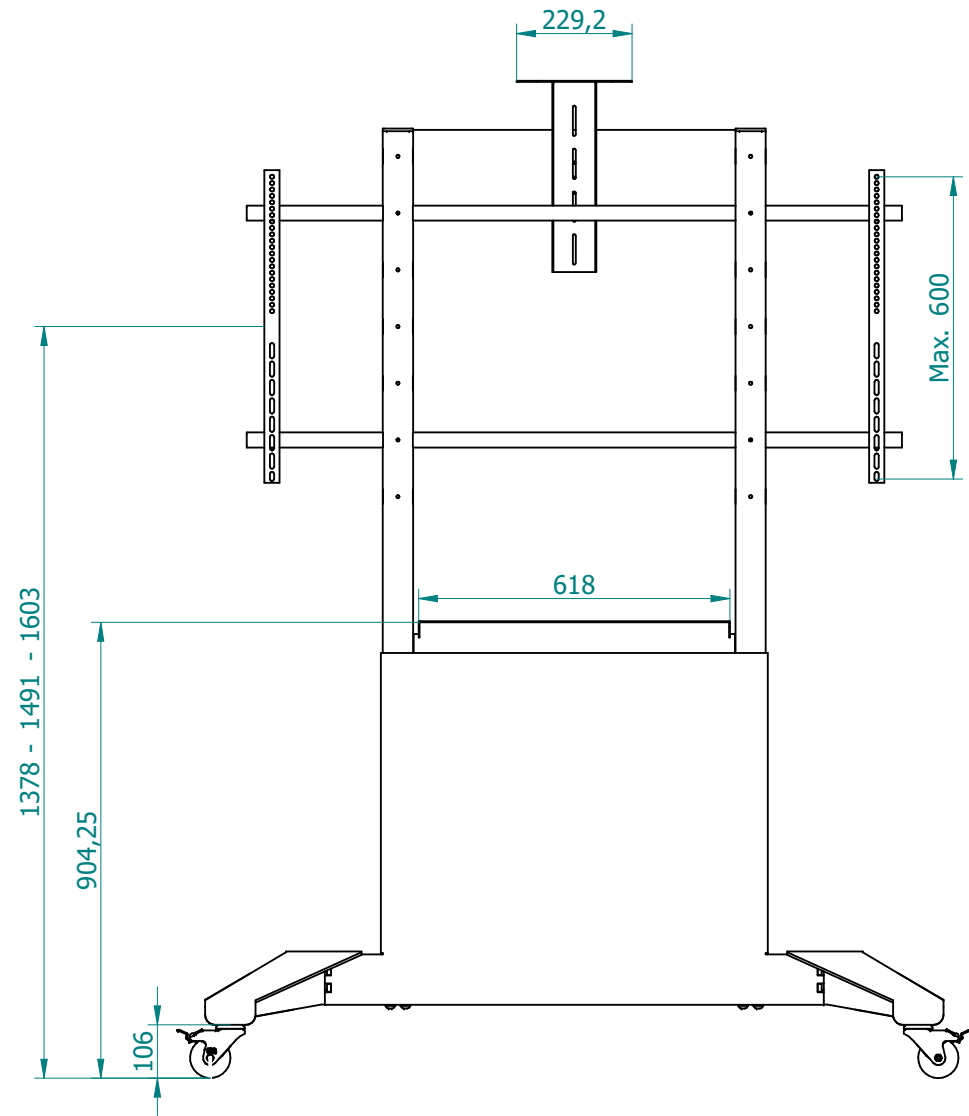


--	--	--	--



Rev.	Date of issue	Description	Sign
0001	13/02/2021	First edition	S.A.



Rev.	Date of issue	Description	Sign S.A.
------	---------------	-------------	--------------

